

F

E

D

C

B

A

material thickness: 15mm

4

4

3

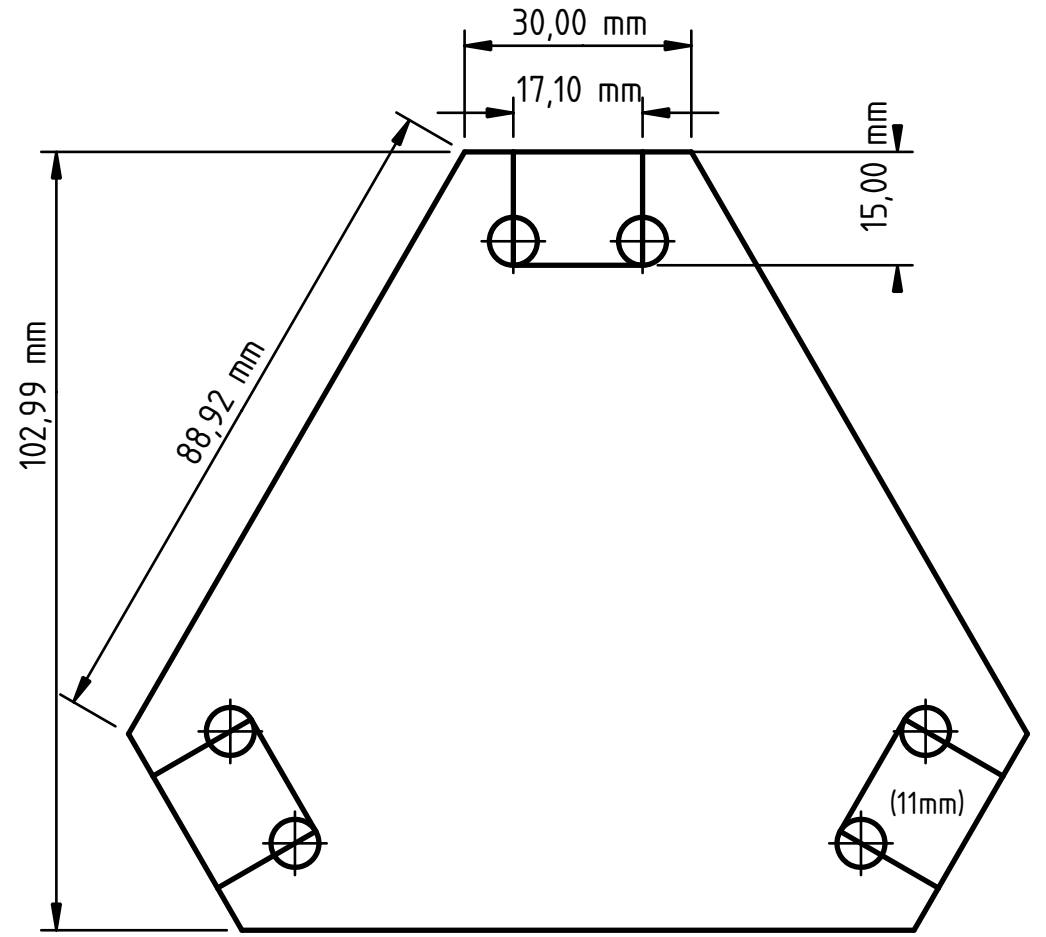
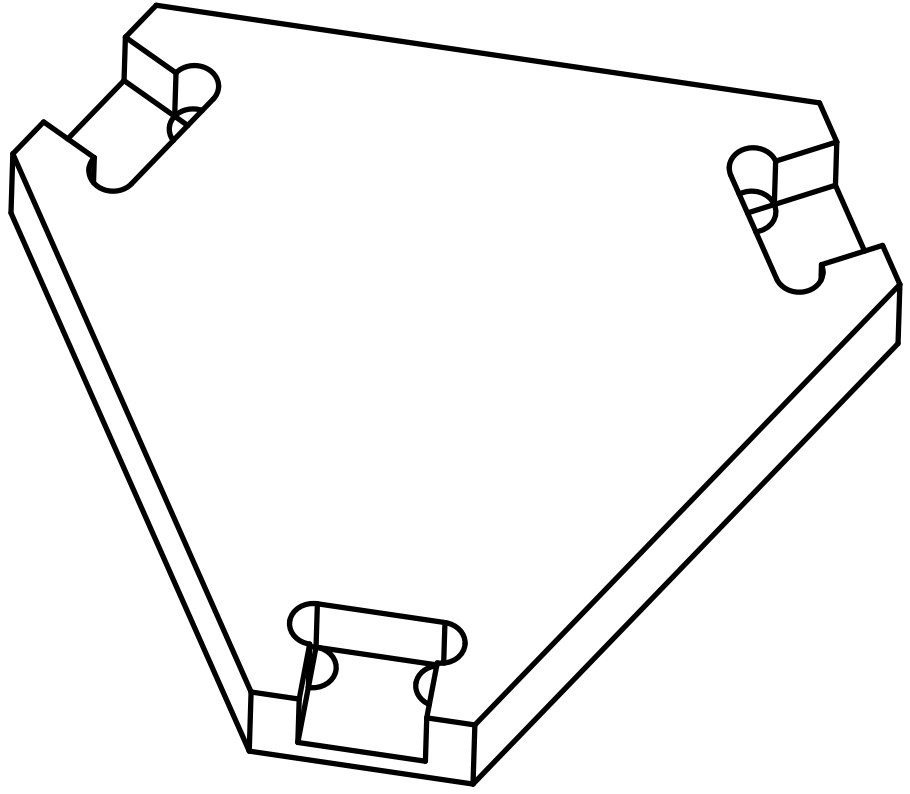
3

2

2

1

1



DESIGNED BY: Julian Schindler		Spacetube-Top		G	—
DATE: 25.07.2021		www.redlabs.de		F	—
SIZE A4				E	—
				D	—
SCALE 1:1	WEIGHT (kg) Weight	DRAWING NUMBER RL100501	SHEET 3	C	—
This drawing is our property; it can't be reproduced or communicated without our written consent.				B	—
				A	—

F

E

D